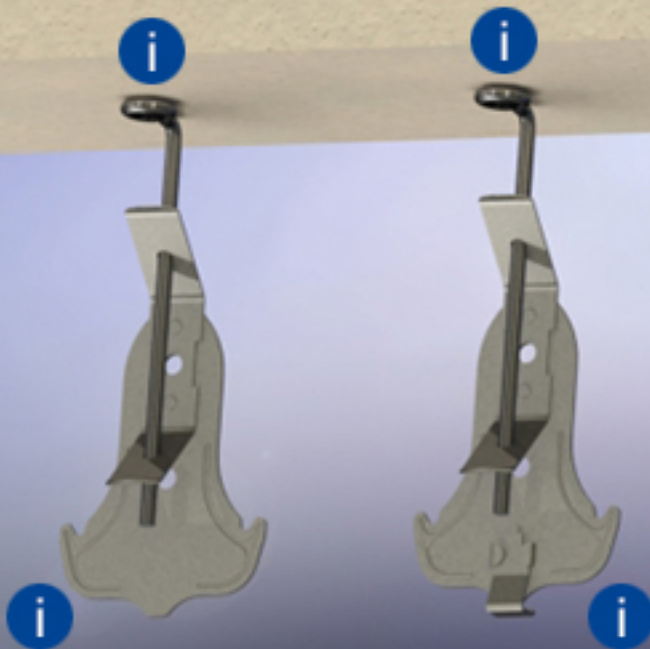
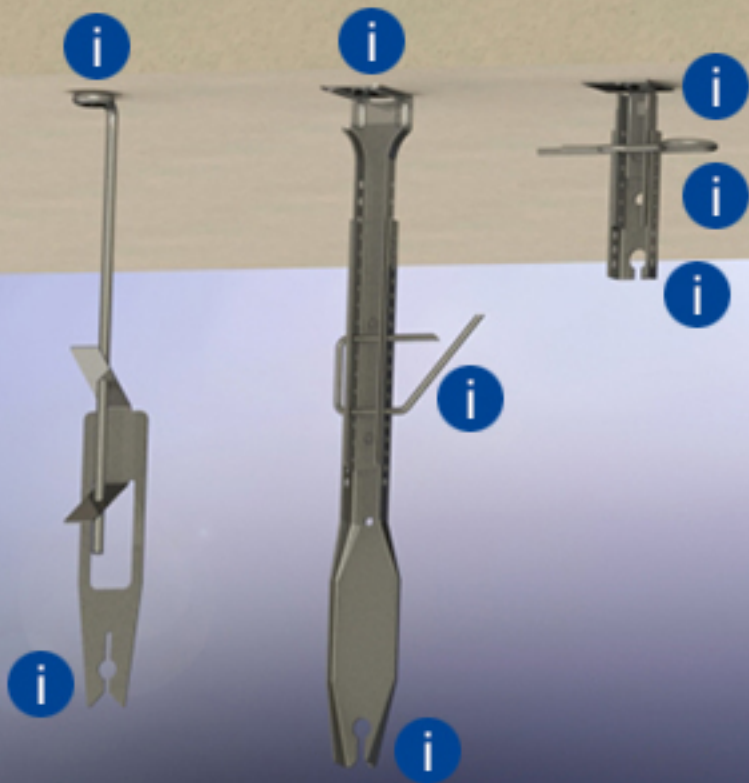


# Suspended bracket, eyelet wire



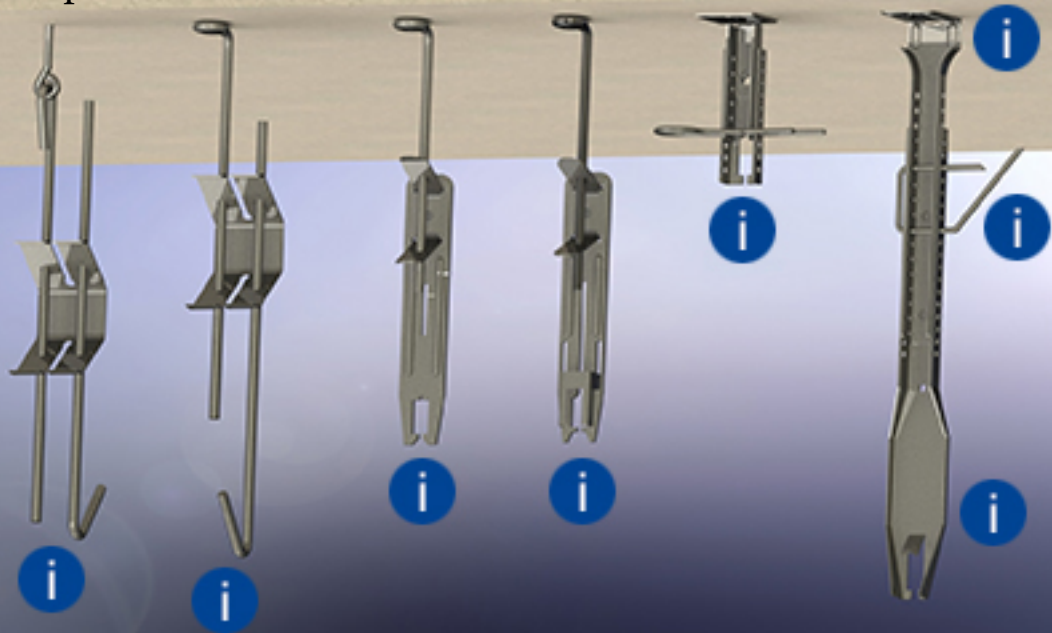
# Clamping profile suspension



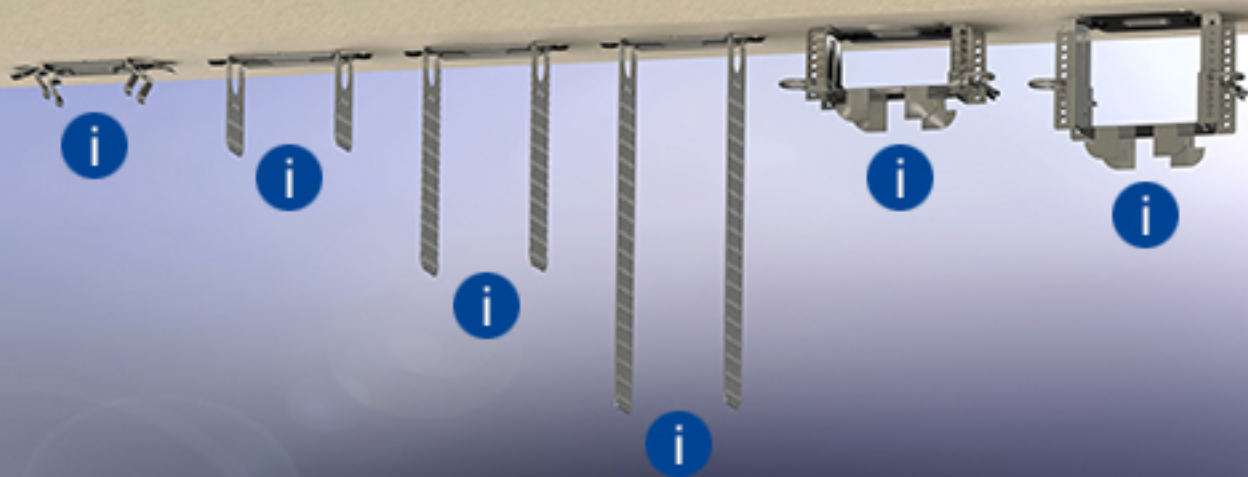
## Direct mounting



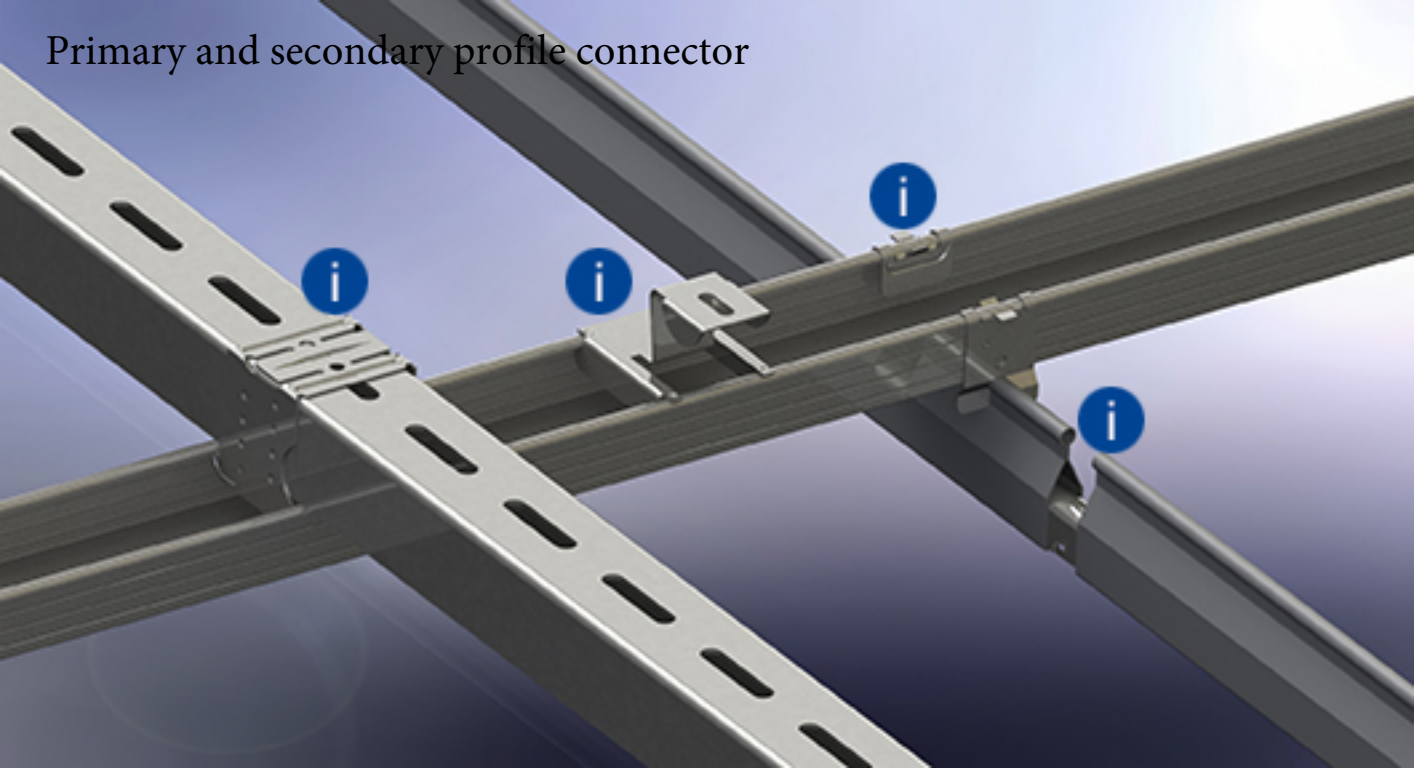
## T-profile suspension



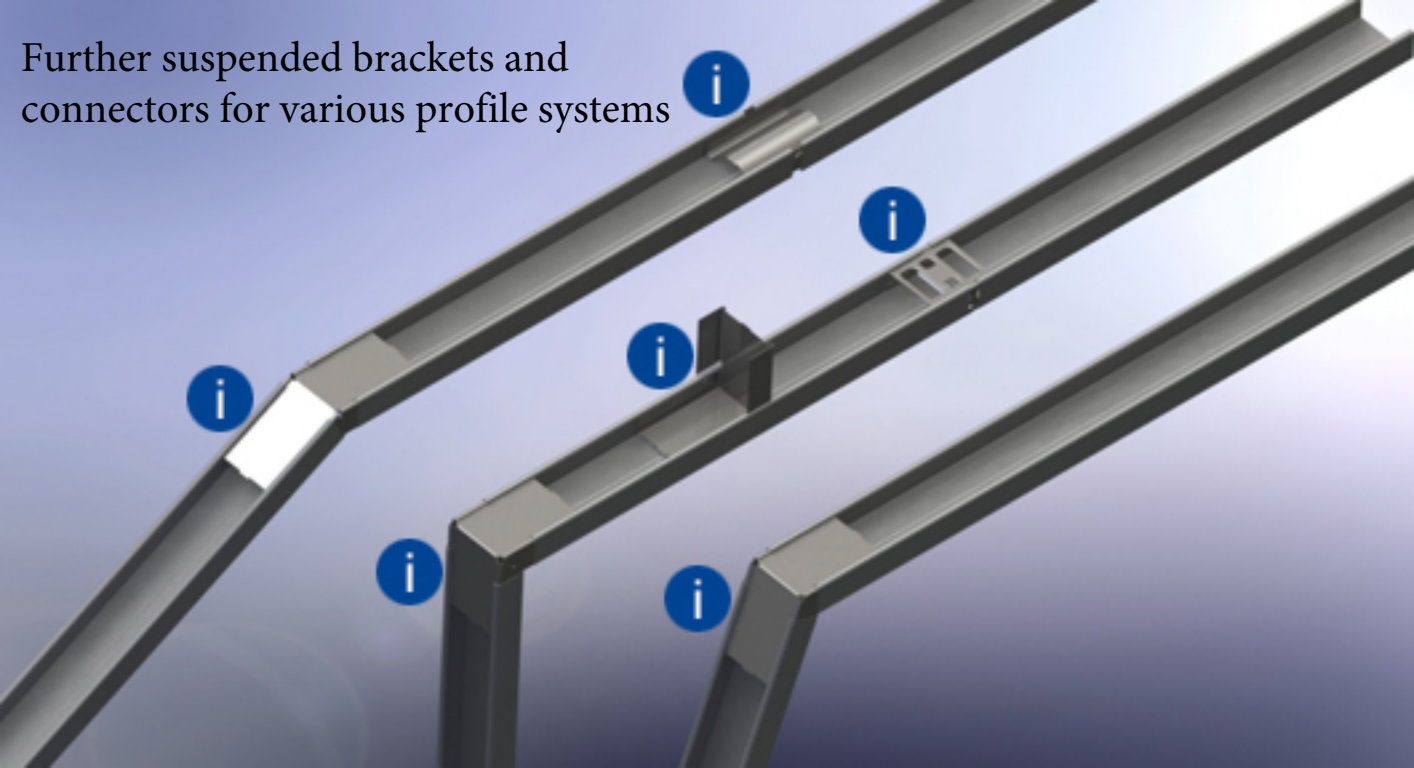
# Direct suspended bracket, rigid



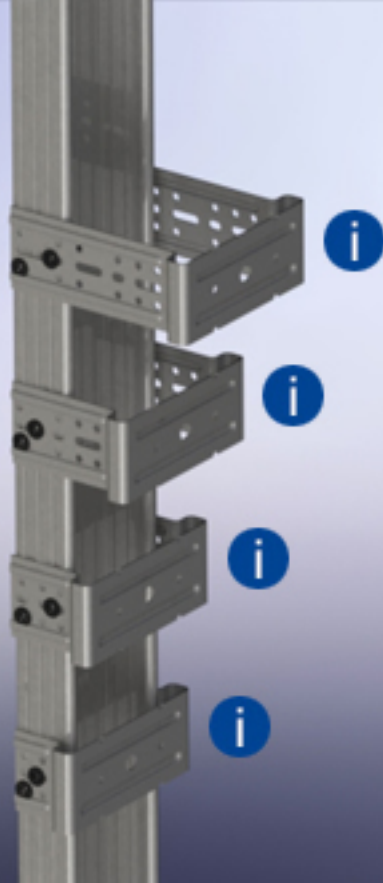
# Primary and secondary profile connector



Further suspended brackets and connectors for various profile systems



# Adjustable vibration bracket

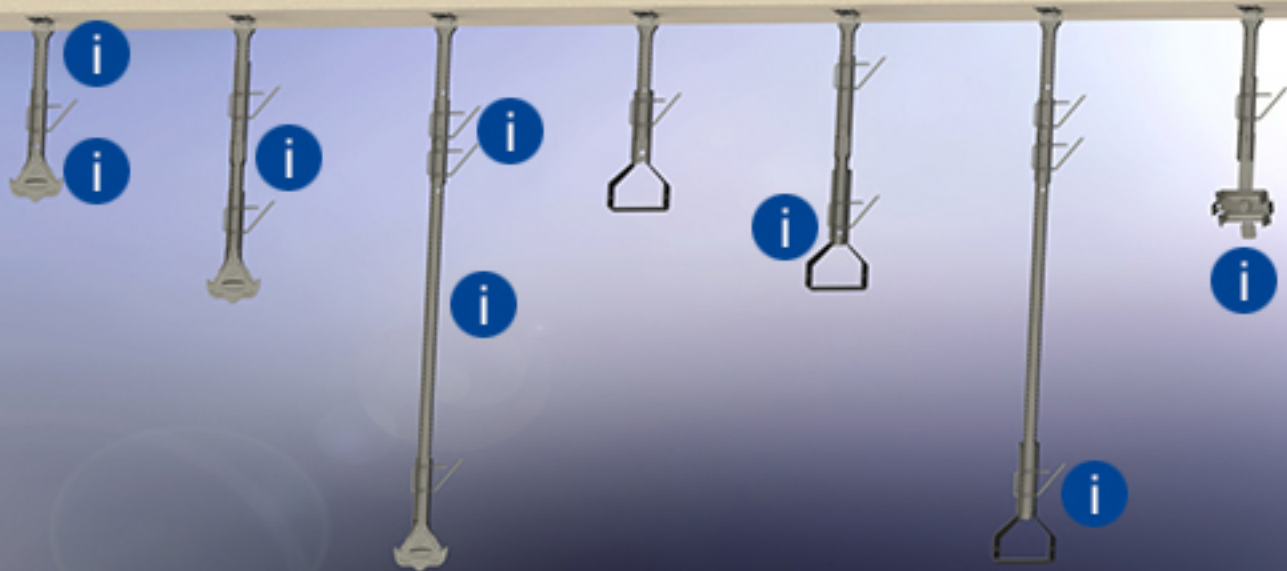




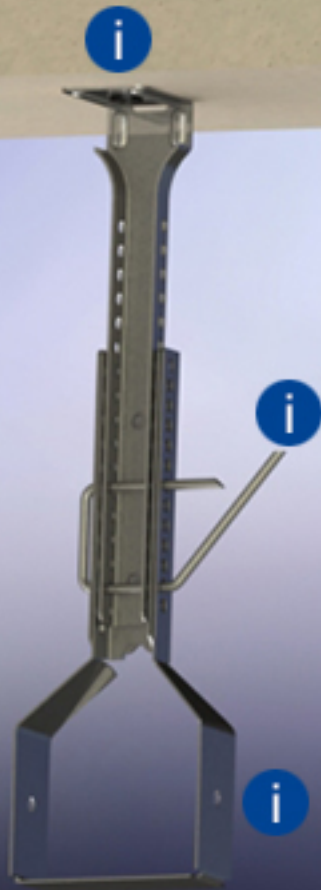


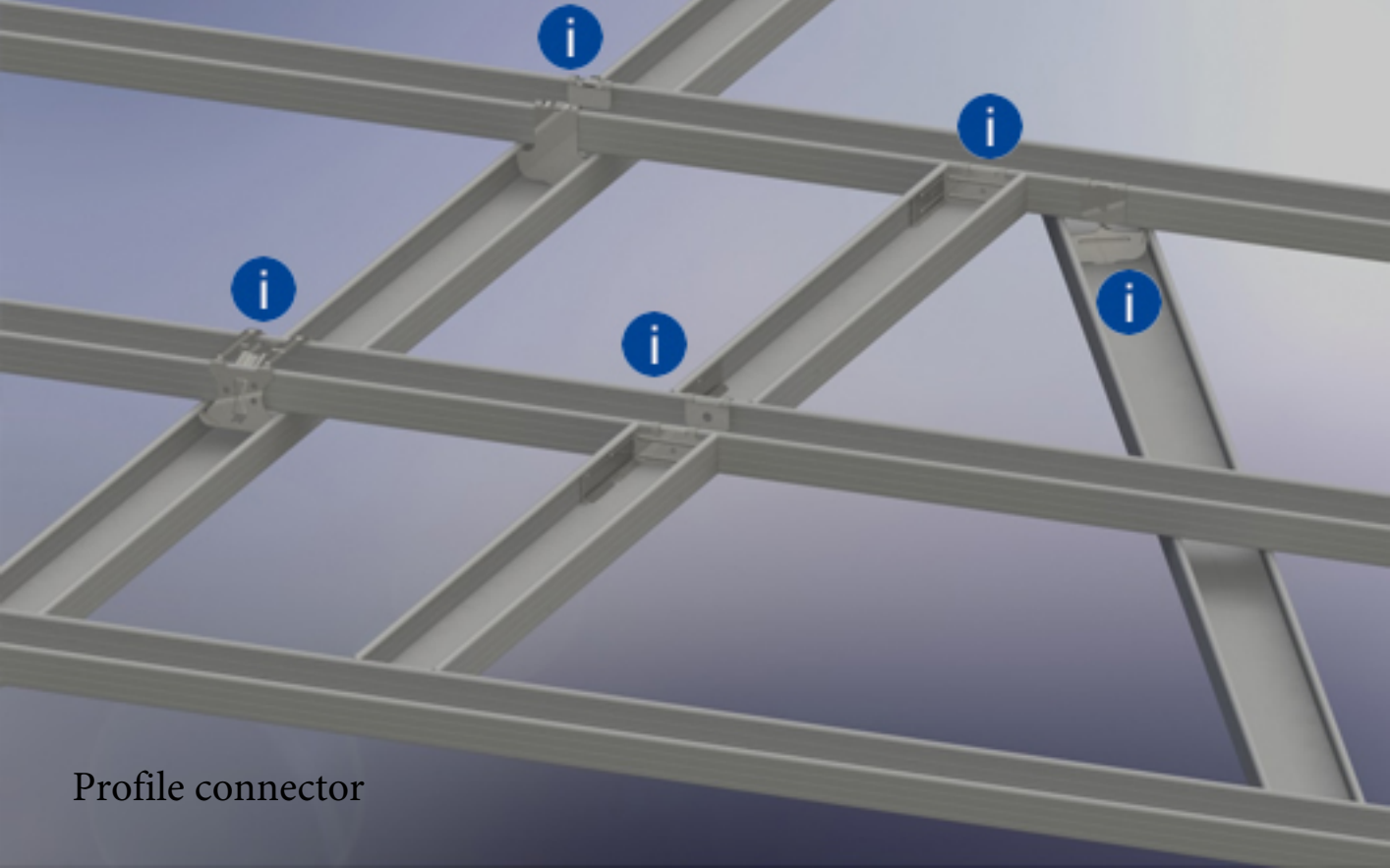
Installation to beam, suspension from wooden laths

## Vernier suspended bracket, rigid



UA suspended bracket, rigid





Profile connector