



DR.SAFETY

ACCESS

Ladder | Steps | Mobile



Safe Up
Safe Down
Safe Home

DRSAFETY-WORLD.COM



DR.LADDER

DR.LADDER

AIR HUNT



4 in 1

TELESCOPING

STAIRCASE

A-FRAME

90-DEGREE



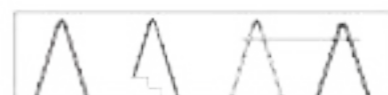
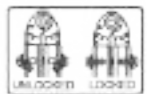
AIR HUNT



Complies with all Applicable AS 1892.1 Standards



A-FRAME
EXTENSION
STAIRCASE
90-DEGREE



AIR HUNT

	W	D	H	Max Height		H	KG
				D	H		
DRAH17	620	960	1310	1450	2190	4580	15.3
DRAH22	710	1080	1600	1940	2760	5800	21.1
DRAH26	790	1280	1900	2260	3330	7000	26

All dimensions are in MM unit, tolerance ±10mm



DR.LADDER

EASY=Fit

EXCLUSIVE IN HONG KONG



額外配件均可有售!

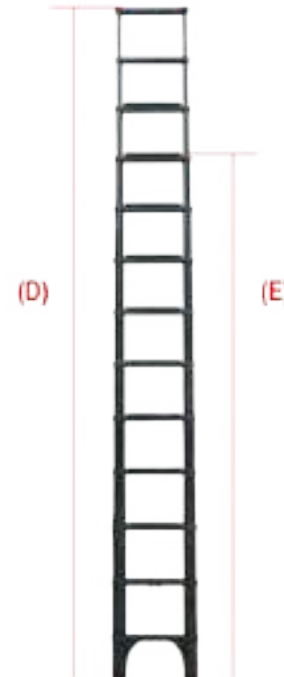
EASY=Fit



FIBERGLASS



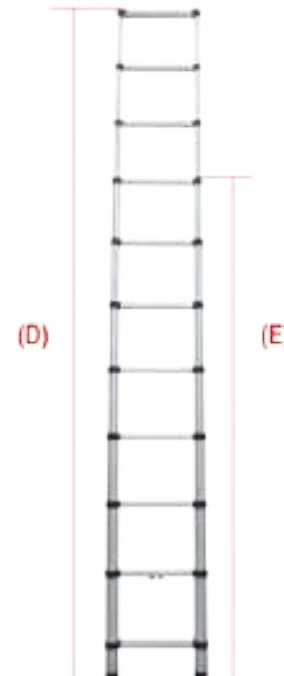
Insulated



Item No.	Retracted (A)	Top Width (B)	Bottom Width (C)	Extended Height (D)	Max. Standing Height (E)	Max. Working Weight (kg)
DREF39-FG	870	430	470	3900	2970	136

All measurements in MM

ALUMINIUM



Item No.	Retracted (A)	Top Width (B)	Bottom Width (C)	Extended Height (D)	Max. Standing Height (E)	Max. Working Weight (kg)
DREF38	810	430	460	3800	2860	136

All measurements in MM

DR.LADDER EASY 90

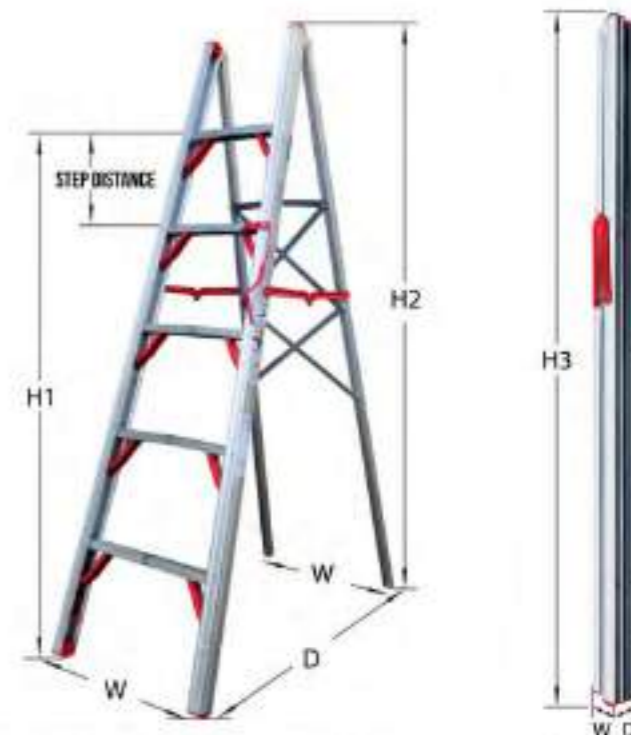


EASY 90

LIGHTER

SINGLE-SIDED

All measurements in MM unit (tolerance ±10mm)



Model	Step	Step Distance	Dimensions				Folded			Weight (kg)
			W	D	H1	H2	W	D	H3	
DREG04S	4	300	480	850	1160	1460	90	80	1510	5.8
DREG05S	5	300	500	1000	1440	1750	90	80	1810	6.8



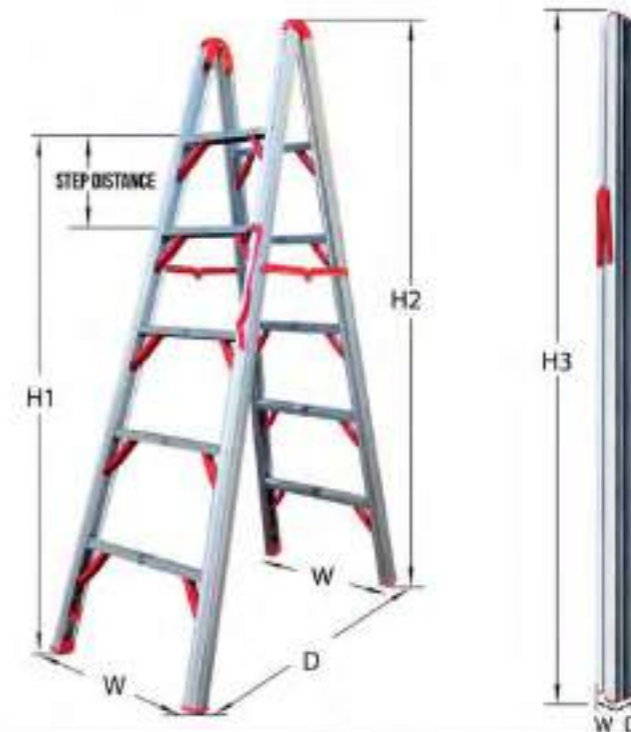
FIT ALL HOMES



STRONGER

DOUBLE-SIDED

All measurements in MM unit (tolerance ±10mm)



Model	Step	Step Distance	Dimensions				Folded			Weight (kg)
			W	D	H1	H2	W	D	H3	
DREG05D	5	300	500	1050	1440	1780	120	80	1850	9.5
DREG06D	6	300	540	1210	1730	2060	120	80	2150	11.1

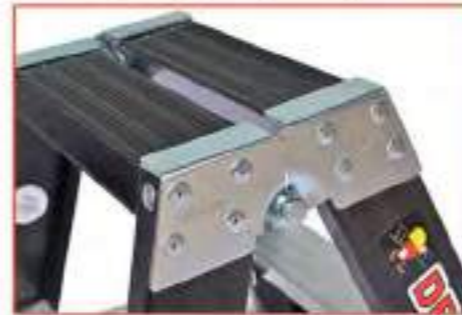


DR.LADDER HEROSTEP

**HEAVY DUTY
MUST HAVE !**

THE STRONGEST HERO ON EARTH

7-layers fiberglass materials,
V-step exclusive design,
strong and stable anti-slip
feet, safety handle to keep
balance easily, strong hinge
with anti-stripping
connection for durability,
Lock spreaders included.



Strong Connection Structure



Exclusive Locking System



Double Support Safety Footing

ACCESSORIES Safety Handle



Item No.	Step	W x D	Height Opened / Storage	Weight (kg)
TR-DFB02	2	407 x 533	500 / 580	4.6
TR-DFB04	4	489 x 927	1078 / 1178	9
TR-DFB06	6	570 x 1320	1655 / 1740	12.6
TR-DFB08	8	652 x 1713	2233 / 2340	16.5
TR-DFB10	10	733 x 2107	2811 / 2960	21
TR-DFB12	12	815 x 2500	3388 / 3600	26
TR-DFB14	14	895 x 2893	3965 / 4180	30.6
TR-DFB16	16	977 x 3287	4546 / 4760	35.2

All measurements are in MM unit (tolerance ±10mm)

HEROSTEP X

LITE



Complies with Applicable EN131 Standards



Steps Size



Safety Lock



Adjustment leg



TR-DAS-003 SERIES	03	04	05	06	07	08	
(MIN) W WIDTH x D DEPTH	478 x 576	529 x 730	580 x 885	636 x 1043	688 x 1199	737 x 1303	
(MAX) W WIDTH x D DEPTH	505 x 664	558 x 818	609 x 973	663 x 1124	716 x 1285	763 x 1438	
HEIGHT (H)	After Opened	740-808	1028-1185	1316-1474	1605-1763	1879-2037	2181-2341
	Storage	767	1055	1365	1654	1963	2262
WEIGHT (KG)	6.6	7.8	9.4	10.7	12.7	14.6	

(All dimensions are in MM unit, tolerance ±10mm)



Complies with Applicable EN131 Standards



Safety Lock



Steps Size



Adjustment leg

TR-DFB-003 SERIES	03	04	05	06	07	08	
(MIN) W WIDTH x D DEPTH	478 x 576	529 x 730	580 x 885	636 x 1043	688 x 1199	737 x 1303	
(MAX) W WIDTH x D DEPTH	505 x 664	558 x 818	609 x 973	663 x 1124	716 x 1285	763 x 1438	
HEIGHT (H)	After Opened	740-808	1028-1185	1316-1474	1605-1763	1879-2037	2181-2341
	Storage	767	1055	1365	1654	1963	2262
WEIGHT (KG)	6.6	8.1	9.6	11.2	13.2	15.1	

(All dimensions are in MM unit, tolerance ±10mm)



HEROSTEP X SPECIAL



HEROSTEP LITE X SPECIAL

	03	04	05	06	07	08	Storage Size (mm) L x W x H	Weight (kg)
TR-DAS-003-03	478-576	529-730	580-885	636-1043	688-1199	737-1303	740-808	6.6
TR-DAS-003-04	505-664	558-818	609-973	663-1124	716-1285	763-1438	1028-1185	7.8
TR-DAS-003-05	580-885	636-1043	688-1199	737-1303	788-1418	839-1533	1316-1474	9.4
TR-DAS-003-06	636-1043	688-1199	737-1303	788-1418	839-1533	890-1648	1605-1763	10.7
TR-DAS-003-07	688-1199	737-1303	788-1418	839-1533	890-1648	941-1763	1879-2037	12.7
TR-DAS-003-08	737-1303	788-1418	839-1533	890-1648	941-1763	992-1878	2181-2341	14.6
TR-DFB-003-03	478-576	529-730	580-885	636-1043	688-1199	737-1303	740-808	6.6
TR-DFB-003-04	505-664	558-818	609-973	663-1124	716-1285	763-1438	1028-1185	8.1
TR-DFB-003-05	580-885	636-1043	688-1199	737-1303	788-1418	839-1533	1316-1474	9.6
TR-DFB-003-06	636-1043	688-1199	737-1303	788-1418	839-1533	890-1648	1605-1763	11.2
TR-DFB-003-07	688-1199	737-1303	788-1418	839-1533	890-1648	941-1763	1879-2037	13.2
TR-DFB-003-08	737-1303	788-1418	839-1533	890-1648	941-1763	992-1878	2181-2341	15.1

(All dimensions are in MM unit, tolerance ±10mm)



Handy Helper Lite



Built and Comfortable, Light weight, Cap-lock top platform, Anti-slip feet and platform, Higher frame is designed as safety frame. This item is your best helper for domestic use.



HandyHelper Lite	A	B	C	D	E
DLPH-L-S-302	408	613	589	1020	3.6
DLPH-L-S-303	428	698	611	1227	4.1
DLPH-L-S-304	448	818	627	1430	4.68
DLPH-L-S-305	472	973	1040	1622	5.24
DLPH-L-S-306	498	1128	1258	1868	6.03
DLPH-L-S-307	528	1278	1474	2084	7.08
DLPH-L-S-308	564	1433	1680	2300	8.04

(All dimensions are in MM unit, tolerance ±10mm)



Handy Helper



HandyHelper	A	B	C	D	E
DLPH-S-302	473	660	487	1107	4.9
DLPH-S-303	530	845	767	1387	5.8
DLPH-S-304	575	1020	1047	1667	6.7
DLPH-S-305	616	1220	1327	1947	7.6
DLPH-S-306	656	1405	1607	2227	8.9

HandyHelper Special	A	B	C	D	E
DLPH-S-307-S	695	1580	1887	2507	10.7
DLPH-S-308-S	740	1760	2167	2787	12.4

(All dimensions are in MM unit, tolerance ±10mm)



DR.LADDER

EASY=Fit A

EXCLUSIVE IN HONG KONG



PORTABLE
SAFE
EXCLUSIVE

STAIR-WORK MASTER



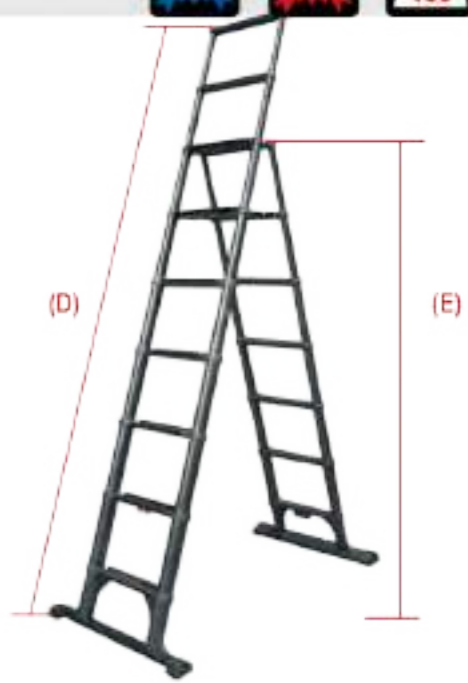
EASY=Fit A



FIBERGLASS



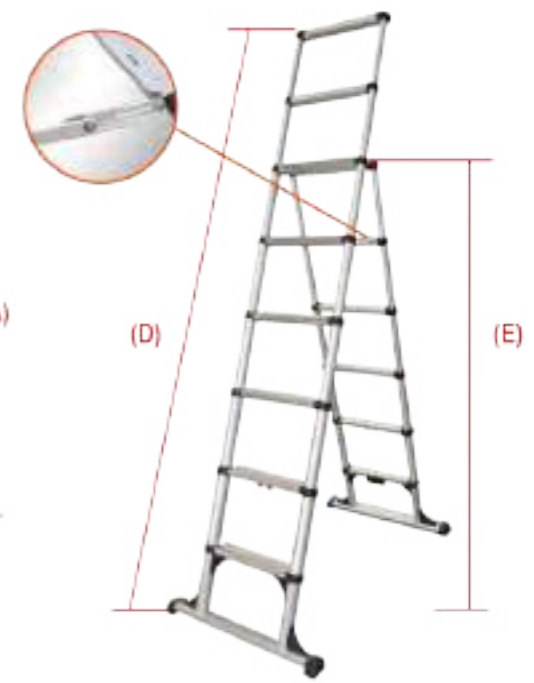
Insulated



Item No.	Retracted (A)	Top Width (B)	Bottom Width (C)	Extended Height (D)	Max. Standing Height (E)	Max. Working Weight (kg)
DREF33-FG	830	430	810	3300	2300	136

All measurements in MM

ALUMINIUM



Item No.	Retracted (A)	Top Width (B)	Bottom Width (C)	Extended Height (D)	Max. Standing Height (E)	Max. Working Weight (kg)
DREFA183	750	430	650	1830	880	170
DREFA295	890	430	790	2950	2030	170

All measurements in MM



DR.LADDER

SKY

REACH



SAFE

The SKY-Reach is engineered to avoid accidents and to save lives.



FLEXIBLE SHOE BRACKET

EASY TO ADJUST

With the Pulley system, we can use the rope easily to adjust the overall height of the ladder!

COMPACT STORAGE

Store shorter, Reach higher!

***The SKY-Reach is equipped with rubber pad / spike feet for all kinds of ground.



Width 460

Item No.	Step	Storage Height	Height Extension Max.	Weight (kg)
EX-NFB08	8 x 2	2530	4060	14.6
EX-NFB10	10 x 2	3140	5280	18.1
EX-NFB12	12 x 2	3750	6500	20.9
EX-NFB14	14 x 2	4360	7720	23.9
EX-NFB16	16 x 2	4970	8940	27.5

All measurements are in MM unit (tolerance ±10mm)



8-16





DR.LADDER

Design Patent Structure -
Our exclusive V-shape base
rung is the strongest rung for
heavy weight support.



SKY-Solo is for you to
Work around Electricity

ACCESSORIES

Safety Handle

Stabilized Hanger



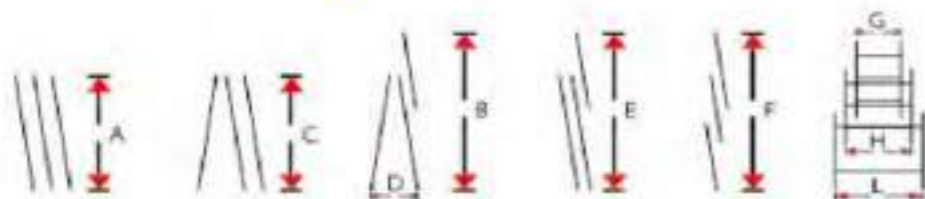
Item No.	Step	Width	Height	Weight (kg)
ST-NFB08	8	460	2630	8.9
ST-NFB10	10	460	3240	10.9
ST-NFB12	12	460	3850	13.2
ST-NFB14	14	460	4460	15.9

All measurements are in MM (inch) (tolerance ±10mm)

SKY
SOLO



Easy For Storage | Adjustable Height



Item No.	A/B/C	D/E/F	G/H/L	Packing Dimension	Weight (kg)
DR3x7	1980x2660x1870	1420x3100x4200	340x400x460	1700x470x160	12
DR3x8	2250x3650x2130	1630x3650x5050	340x400x470	1980x470x160	13
DR3x9	2650x4220x2380	1840x4220x5900	340x400x480	2260x470x160	15
DR3x10	2820x4800x2640	2050x4800x6720	340x400x490	2820x470x160	16
DR3x11	3110x5560x2910	2260x5560x7770	340x400x500	3110x470x160	17.3
DR3x12	3380x6950x3160	3480x6950x8420	340x400x510	3380x470x160	18.6

All measurements in MM unit (tolerance ±10mm)



EASY STEP



COMPLIES WITH APPLICABLE EN14183 STANDARDS



SAFETY LOCK LEVER



SAFETY LOCK LEVER



FOOT BOARD



	W	D	H	D	H	WEIGHT (kg)
DRESL05	600	530	460	150	725	4.2
DRESL07	740	580	650	155	915	5.2
DRESL10	860	610	830	160	1095	6

(All dimensions are in MM units, tolerance ±10mm)



DR.LADDER U-SAFE



U-SAFE



Item No.	Step	W x D	Height			Weight (kg)
			Platform	Opened	Storage	
PL-SFY02-005	2	630 x 864	555	1490	1670	14
PL-SFY03-005	3	672 x 1042	837	1797	1900	17
PL-SFY04-005	4	713 x 1219	1118	2078	2200	19
PL-SFY05-005	5	755 x 1408	1399	2350	2510	21
PL-SFY06-005	6	797 x 1575	1680	2640	2860	23

All measurements are in MM unit (tolerance ±10mm)



Outriggers

SPECIAL EDITION

- Self-lock Security Platform !
- Easy to transport !
- Extra Safe Anti-Bacterial Protection Net
- Handrail for security and durability

Item No.	Step	W x D	Height		Weight (kg)
			Platform	Opened	
PL-SFY04-008	4	630 x 864	555	1480	14.5
PL-SFY05-008	5	672 x 1042	837	1797	17.1
PL-SFY06-008	6	713 x 1219	1118	1118	21.5
		755 x 1408	1399	1399	23.8
		797 x 1575	1680	1680	26

All measurements are in MM unit (tolerance ±10mm)

LITE



DR.LADDER U-SAFE

ALUMINUM PLATFORM LADDER

LITE



DR.LADDER U-SAFE

FIBERGLASS PLATFORM LADDER



EVERY STEP MATTERS!



MODEL	Net Weight (KG)	W	D	H	H2	Working Height
PL-SAY02-007	9.9	571	782	1426	482	2482
PL-SAY03-007	11.2	595	968	1711	763	2763
PL-SAY04-007	16.7	655	1152	1990	1034	3034
PL-SAY05-007	18.1	697	1330	2268	1313	3313
PL-SAY06-007	20.5	740	1520	2557	1607	3607
PL-SAY07-007	22.3	781	1680	2841	1890	3890
PL-SAY08-007	24.2	823	1851	3128	2177	4177

All measurements in MM unit (tolerance: ±10mm)

MODEL	Net Weight (KG)	W	D	H	H2	Working Height
PL-SFY02-007	9.9	571	782	1426	482	2482
PL-SFY03-007	11.2	595	968	1711	763	2763
PL-SFY04-007	16.7	655	1152	1990	1034	3034
PL-SFY05-007	18.1	697	1330	2268	1313	3313
PL-SFY06-007	20.5	740	1520	2557	1607	3607
PL-SFY07-007	22.3	781	1680	2841	1890	3890
PL-SFY08-007	24.2	823	1851	3128	2177	4177

All measurements in MM unit (tolerance: ±10mm)



DR.LADDER

TreeMate

Tripod Ladders are the safest, most stable and practical garden ladders. The wide base, deep steps, telescopic back leg, as well as broad clawed feet and flat top make DR SAFETY Tripod Ladder incredibly safe and easy to use.

Useful and Remarkably light!



TreeMate



Item No.	Step	Width	Height Opened / Storage	Weight (kg)
GSC-180T	6	1250	1810 / 1940	6.7
GSC-240T	8	1250	2410 / 2560	8.3
GSC-300T	10	1470	3010 / 3190	10.5
GSC-360T	12	1470	3610 / 3810	12.1

All measurements are in MM unit



DR.LADDER EVERSAFE



DR.LADDER EVERSAFE



Handrails prevent misstep while concentrating on work



Safety Lock System

Non-slip Work Surface

Linking System is also available

Outriggers

SPECIAL EDITION



ACCESSORIES

Skirting Board
(200mm High)



Item No.	Step	W x D x H	Handrail (W1xD1xH1)	Weight (kg)
SPL-NFB07	3	1480 x 800 x 750	1080 x 470 x 960	18
SPL-NFB10	4	1600 x 900 x 1000	1080 x 470 x 960	19
SPL-NFB12	4	1685 x 1000 x 1150	1080 x 470 x 960	20
SPL-NFB14	5	1850 x 1200 x 1385	1200 x 470 x 960	23

All measurements are in MM unit (tolerance ±10mm)

LITE

DR.LADDER EVERSAFE

STRONG & LIGHT



Greater Working Space
+ Small Storage

SPL-NAS12-001



ACCESSORIES

Handrails prevent mis-step while concentrating on work



LITE

DR.LADDER EVERSAFE



FOLDABLE LEGS



SPL-NAS10-001



Exclusive Safety
Lock System



85° Hardness
Non-slip Rubber Feet

Item No.	D1	W1	H1	Weight (kg)	Handrail (D2 x W2 x H2)	Weight (kg)
SPL-NAS05-001	504	990	483	5.3	-	-
SPL-NAS07-001	535	1432	750	7.2	420 x 1000 x 960	8
SPL-NAS10-001	575	1573	1011	8.3	420 x 1000 x 960	8
SPL-NAS12-001	596	1852	1180	11	420 x 1200 x 960	9

All measurements are in MM unit (tolerance ±10mm)



DR. LOGISTIC

CUSTOM MADE FOLDING ROLL CONTAINER

Custom Made Folding Roll Container has an impressive 500 kg capacity, and it can be stored by simply folding the base and side panel when not in use for increased storage space and transportation.

1. Time and labor cost saving for transportations.
2. Good foldability for easy storage and saving space.
3. Maximum 500KG load capacity.
4. The coating paint maintains the durability and appearance of the Folding Roll Container providing rust-prevention and weathering performance.
5. Can install different type of 6 inch rubber casters to ensure smooth and noiseless moving.
6. Commonly used in Logistics, Transportation industries, Supermarkets, Storeroom, Department store, Restaurants, Hotels, Hospitals, Airport etc.



Fall Prevention Net
WT-BELT



WT-SBT-WNC950

WT-SBT-WNC850

WT-SCT-BNC1180

Cool Insulation Cover

Model	Name	Dimensions			Capacity (kg)	Remark
		W (mm)	D (mm)	H (mm)		
WT-SBT-WNC850	Dr. Logistics WT-SBT-WNC850 Roll Container	850	650	1700	500	
WT-SBT-WNC950	Dr. Logistics WT-SBT-WNC950 Roll Container	950	650	1700	500	
WT-SBT-WNC1100	Dr. Logistics WT-SBT-WNC1100 Roll Container	1100	800	1700	500	
WT-SCT-BNC1180	Dr. Logistics Security Cargo Roll Container	1100	800	1700	500	
WT-SBT-WNC S	Dr. Logistics Shelf (for WT-SBT-WNC850)	850	650	-	-	
WT-SBT-WNCM	Dr. Logistics Shelf (for WT-SBT-WNC950)	950	650	-	-	
WT-SBT-WNCL	Dr. Logistics Shelf (for WT-SBT-WNC1100)	1100	800	-	-	
WT-SBT-WNC S COVER	Dr. Logistics Cool Insulation Cover (for WT-SBT-WNC850)	850	650	-	-	
WT-SBT-WNCM COVER	Dr. Logistics Cool Insulation Cover (for WT-SBT-WNC950)	950	650	-	-	
WT-SBT-WNCL COVER	Dr. Logistics Cool Insulation Cover (for WT-SBT-WNC1100)	1100	800	-	-	



DR. LOGISTIC

150KG PLASTIC HAND TRUCK

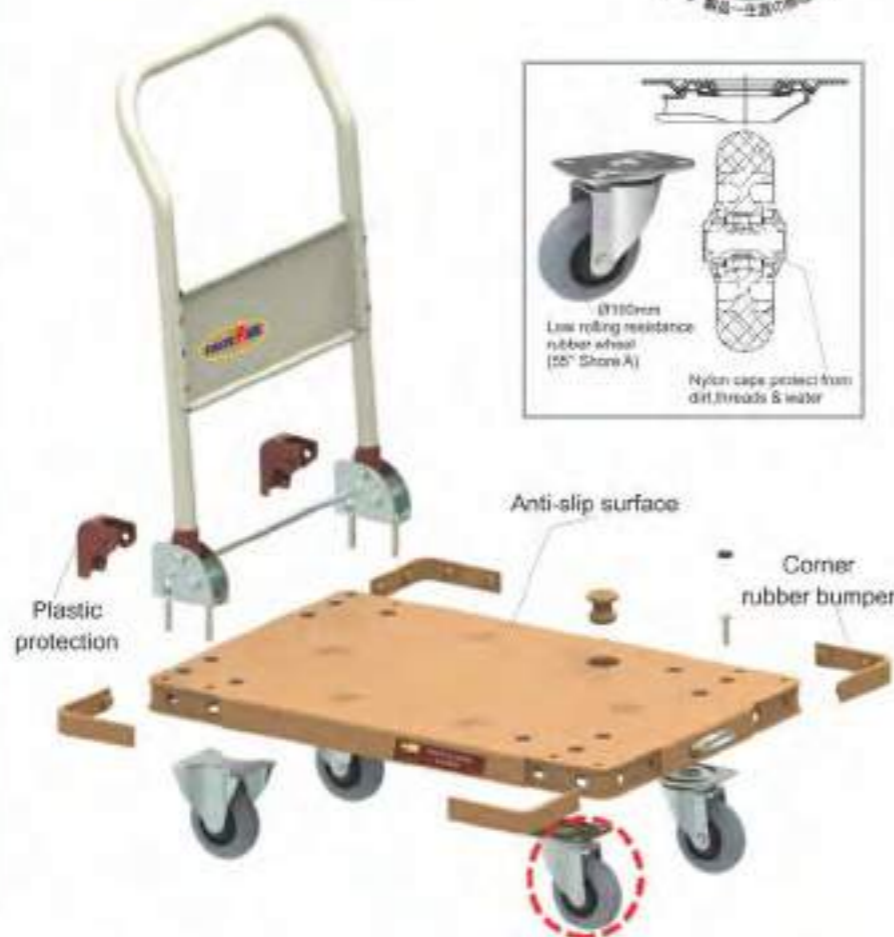
15/09/2022, 17:07

Tak Kee Hardware Development Ltd.



DR. LOGISTIC

300KG PLASTIC HAND TRUCK



S=Single Desk, D=Double Desk, T=Triple Desk, W=Side-net type

FASTERIDE	1929S	1929D	1929T	1929S-W	1929D-W
L x W x H (mm)	710 x 455 x 900	710 x 455 x 1020	710 x 455 x 953	710 x 455 x 960	710 x 455 x 1020
Net Weight (kg)	11.2	16.2	21	21.2	21.8

(All dimensions are in MM unit, tolerance ±10mm)



Stainless steel model available, all metal parts use AISI304 material.

FASTERIDE	1929SS	1929SD	1929ST	1929SS-W	1929SD-W
L x W x H (mm)	710 x 455 x 900	710 x 455 x 1020	710 x 455 x 953	710 x 455 x 960	710 x 455 x 1020
Net Weight (kg)	10.8	15.8	20.6	20.8	21.2



S=Single Desk, D=Double Desk, T=Triple Desk, W=Side-net type

FASTERIDE	2436S	2436D	2436T	2436S-W	2436D-W
L x W x H (mm)	900 x 600 x 935	900 x 600 x 1060	900 x 600 x 960	900 x 600 x 935	900 x 600 x 1060
Net Weight (kg)	15.2	23.6	31.2	24	31

(All dimensions are in MM unit, tolerance ±10mm)



Stainless steel model available, all metal parts use AISI304 material.

FASTERIDE	2436SS	2436SD	2436ST	2436SS-W	2436SD-W
L x W x H (mm)	900 x 600 x 935	900 x 600 x 1060	900 x 600 x 960	900 x 600 x 935	900 x 600 x 1060
Net Weight (kg)	15.3	23.7	31.3	24.3	31.2



DR SAFETY 2020 All rights reserved.

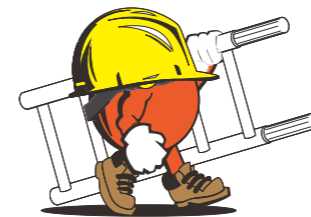
HAND TRUCK



DR SAFETY 2020 All rights reserved.

HAND TRUCK

www.takkeeltd.com.hk/product_drlogistic.html



DR.SCAFFOLD
 COMPLIES WITH APPLICABLE
 BS EN 1004:2004 STANDARDS

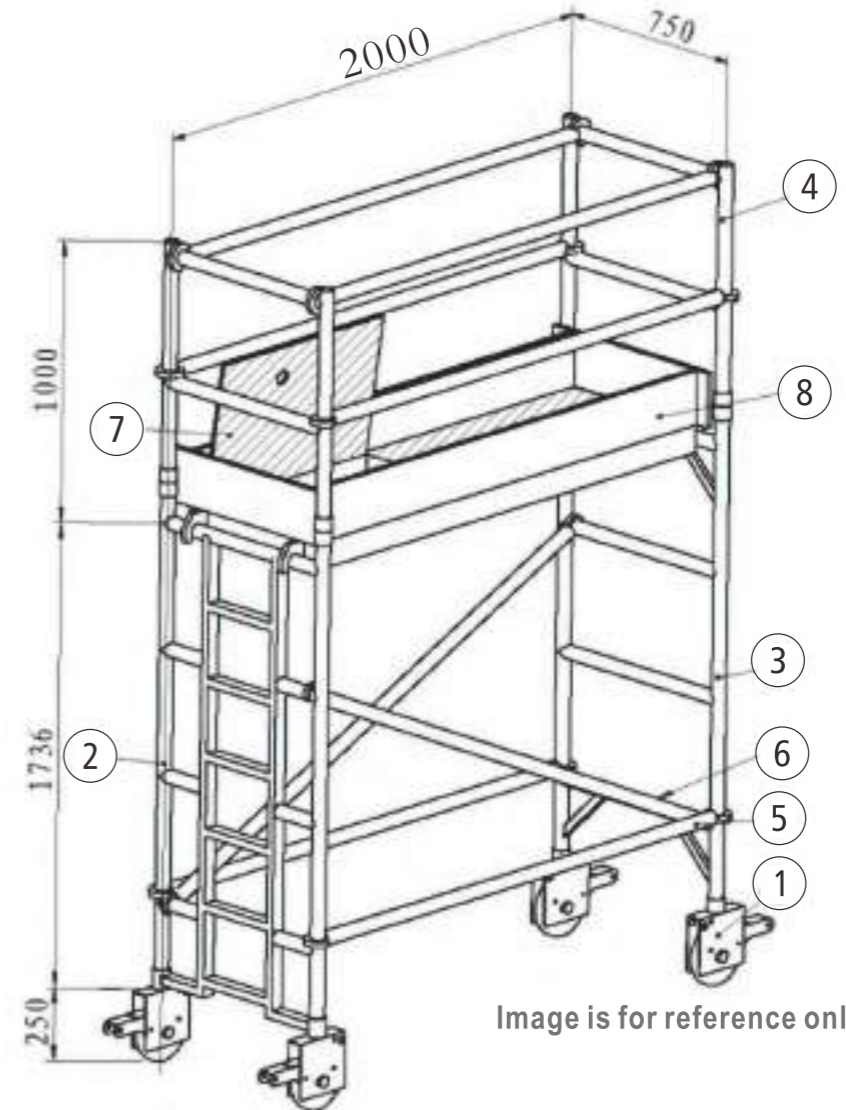


**WPK200 ALUMINIUM FRAME PACKAGE
 SINGLE WIDTH LADDER FRAME (2000MMx750MM)
 TOWER HEIGHT 2990MM
 MAX PLATFORM HEIGHT 1990MM**

1	J200150D-A	150MM ADJUSTABLE PU CASTOR	4
2	P4RLS	SINGLE WIDTH 4 RUNG LADDER	1
3	P4RS	SINGLE WIDTH 4 RUNG SPAN	1
4	PGRS	SINGLE WIDTH GUARDRAIL	2
5	PHB1	2.0M HORIZONTAL BRACES	6
6	PDB1	2.205M DIAGONAL BRACES	2
7	PTP1	2.0M TRAPDOOR PLATFORM	1
8	TW2	SINGLE WIDTH TOEBOARD SETS	1
9	KOU1	D BUCKLE	4



DR.SCAFFOLD



6061-T6 (≥2.0MM)
ALUMINIUM



HORIZONTAL
DIAGONAL



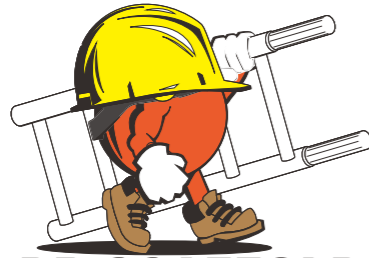
ADJUSTABLE
CASTOR

Image is for reference only



DR SAFETY 2020 All rights reserved.

DR.Scaffold WPK200



DR.SCAFFOLD

COMPLIES WITH APPLICABLE
BS EN 1004:2004 STANDARDS

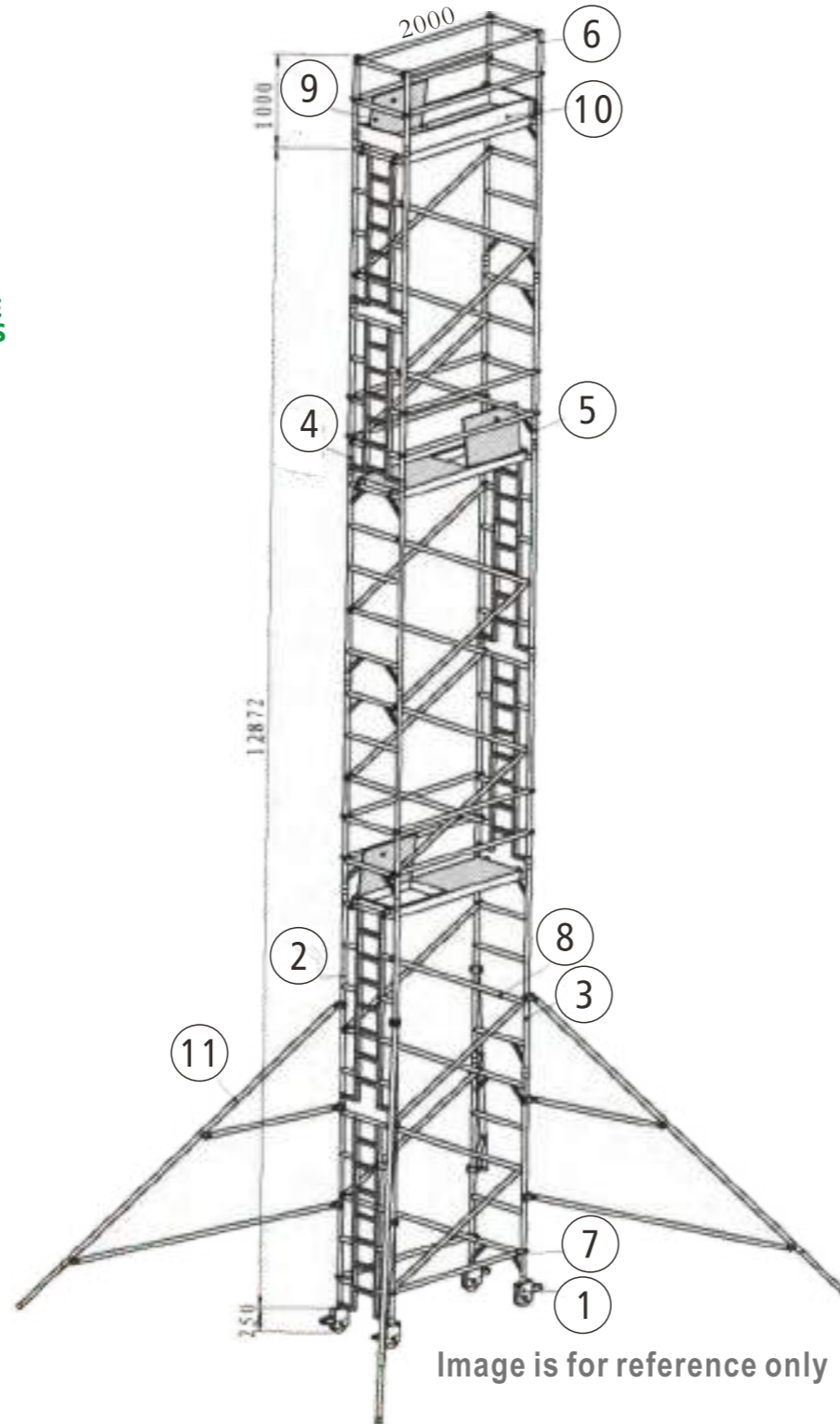


Image is for reference only

WPK224ALUMINIUM FRAME PACKAGE SINGLE WIDTH LADDER FRAME (2000MMx750MM) TOWER HEIGHT 14120MM MAX PLATFORM HEIGHT 13120MM			
1	J200150D-A	150MM ADJUSTABLE PU CASTOR	4
2	P5RLS	SINGLE WIDTH 5 RUNG LADDER	4
3	P5RS	SINGLE WIDTH 5 RUNG SPAN	4
4	P4RLS	SINGLE WIDTH 4 RUNG LADDER	2
5	P4RS	SINGLE WIDTH 4 RUNG SPAN	2
6	PGRS	SINGLE WIDTH GUARDRAIL	2
7	PHB1	2.0M HORIZONTAL BRACES	14
8	PDB1	2.205M DIAGONAL BRACES	22
9	PTP1	2.0M TRAPDOOR PLATFORM	3
10	TW2	SINGLE WIDTH TOEBOARD SETS	1
11	PSTA2	4.6M ADJUSTABLE STABILIZER	4
12	KOU1	D BUCKLE	24



HORIZONTAL
DIAGONAL



6061-T6 (≥2.0MM)
ALUMINUM



ADJUSTABLE
CASTOR



DR SAFETY 2020 All rights reserved.

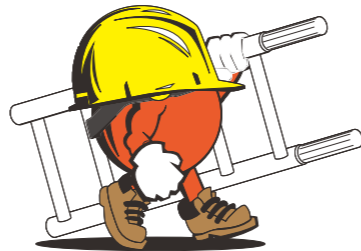
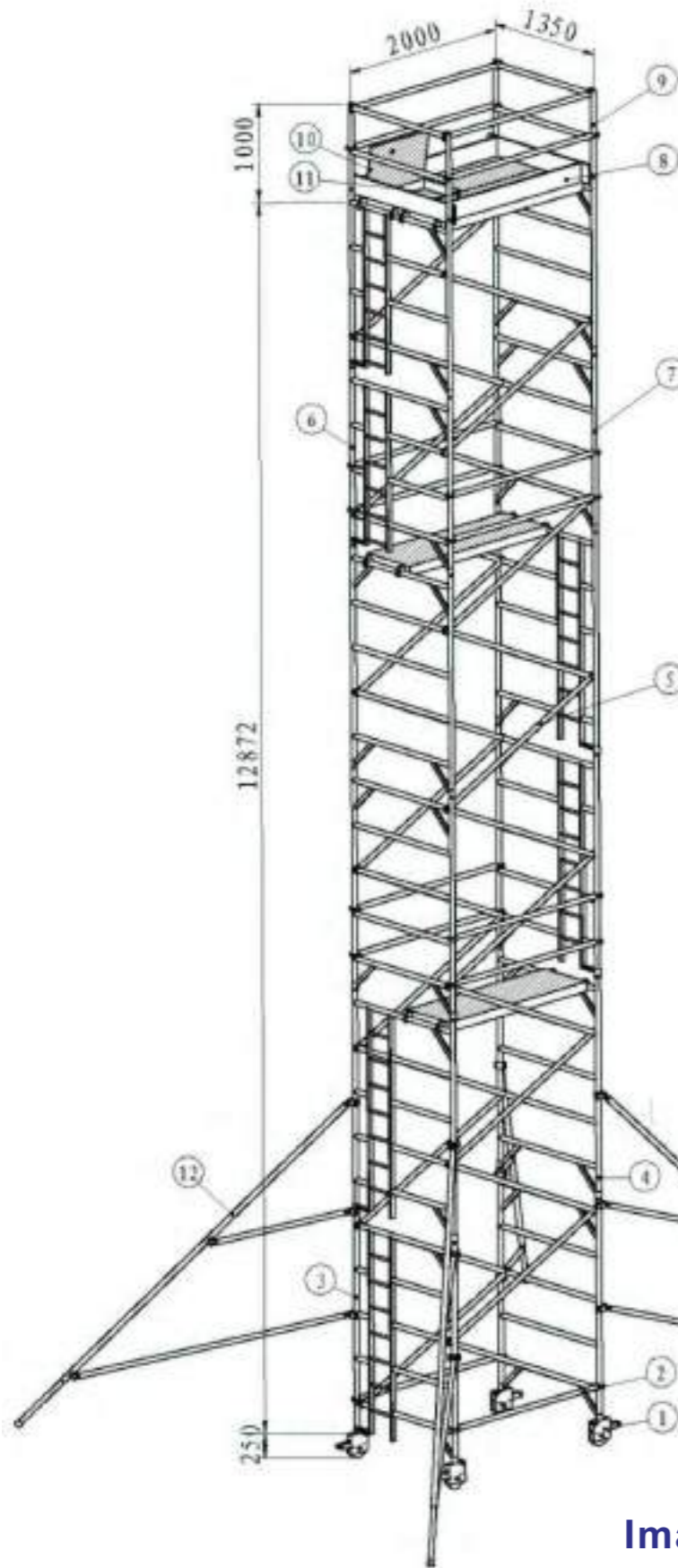
DR.Scaffold WPK224

WPK124 ALUMINIUM FRAME PACKAGE

DOUBLE WIDTH LADDER FRAME

TOWER HEIGHT 14122mm
MAX PLATFORM HEIGHT 13120mm

Item	Code No	Description	Qty
1	CW209057	WICKE DS XY 6" PU CASTER	4
2	PHB1	2.0M HORIZONTAL BRACES	14
3	P5RLD	DOUBLE WIDTH 5 RUNG LADDER	4
4	P5RD	DOUBLE WIDTH 5 RUNG SPAN	4
5	PDB1	2.205M DIAGONAL BRACES	26
6	P4RLD	DOUBLE WIDTH 4 RUNG LADDER	2
7	P4RD	DOUBLE WIDTH 4 RUNG SPAN	2
8	TW1	DOUBLE WIDTH TOEBOARD SETS	1
9	PGRD	DOUBLE WIDTH GUARDRAIL	2
10	PTP1	2.0M TRAPDOOR PLATFORM	1
11	PTP1	2.0M TRAPDOOR PLATFORM	3
12	PSTA2	4.6M ADJUSTMENT STABILIZERS	4
13	KOU1	D BUCKLE	24



DR.SCAFFOLD
AUTHENTICATION
BS EN 1004:2004



Safe Up

Safe Down

Safe Home

Images for reference Only